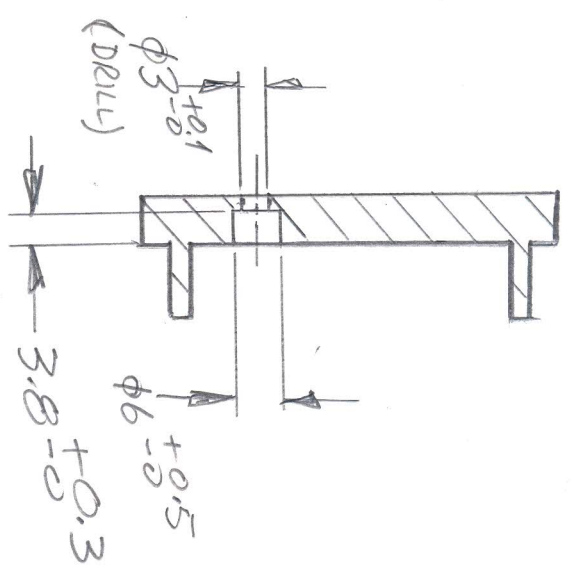


SECTION A-A



SECTION B-B

- NOTES:
1. UNLESS SPECIFIED DIM. IN MM
 2. BREAK EDGES 0.2 TO 0.4 x 45°
 3. MATERIAL: MODIFY SUPPLIED PART

S. GRAHAM 2016-06-24

SCALE: 1/1

PART || FRONT PANEL SHEET 2 OF 2
 PROJECT || DIV LNESTAGE 'A'
 WALL DF SOUND, CA